

U604

L403
V607
C605
R600
V606

U600

C100
L101
L100

V602
C617
C615

ZD600

C616
C618
R627
R620
R623
R624

UP

R609
LED602

R610
LED603

SOFT1

LEFT

INT

RIGHT

SOFT2

LED609
R616

DOWN

LED608
R615

END

R613
LED606

SEND

CLR

R614
LED607

DIGIT1

DIGIT2

DIGIT3

DIGIT4

DIGIT5

DIGIT6

DIGIT7

DIGIT8

DIGIT9

STAR

DIGIT10

SHARP

DM3

TP503

U500

U501

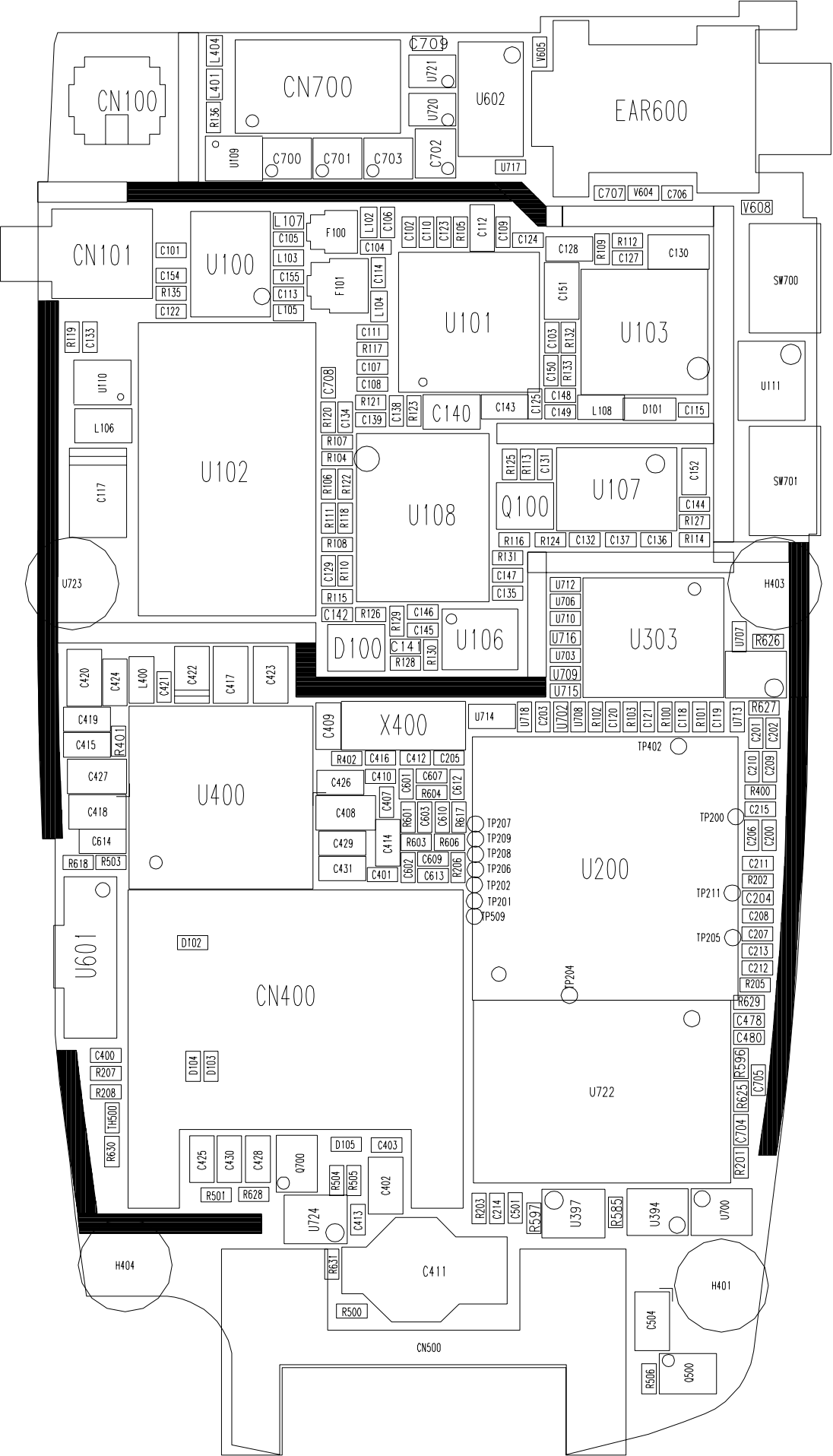
MIC600

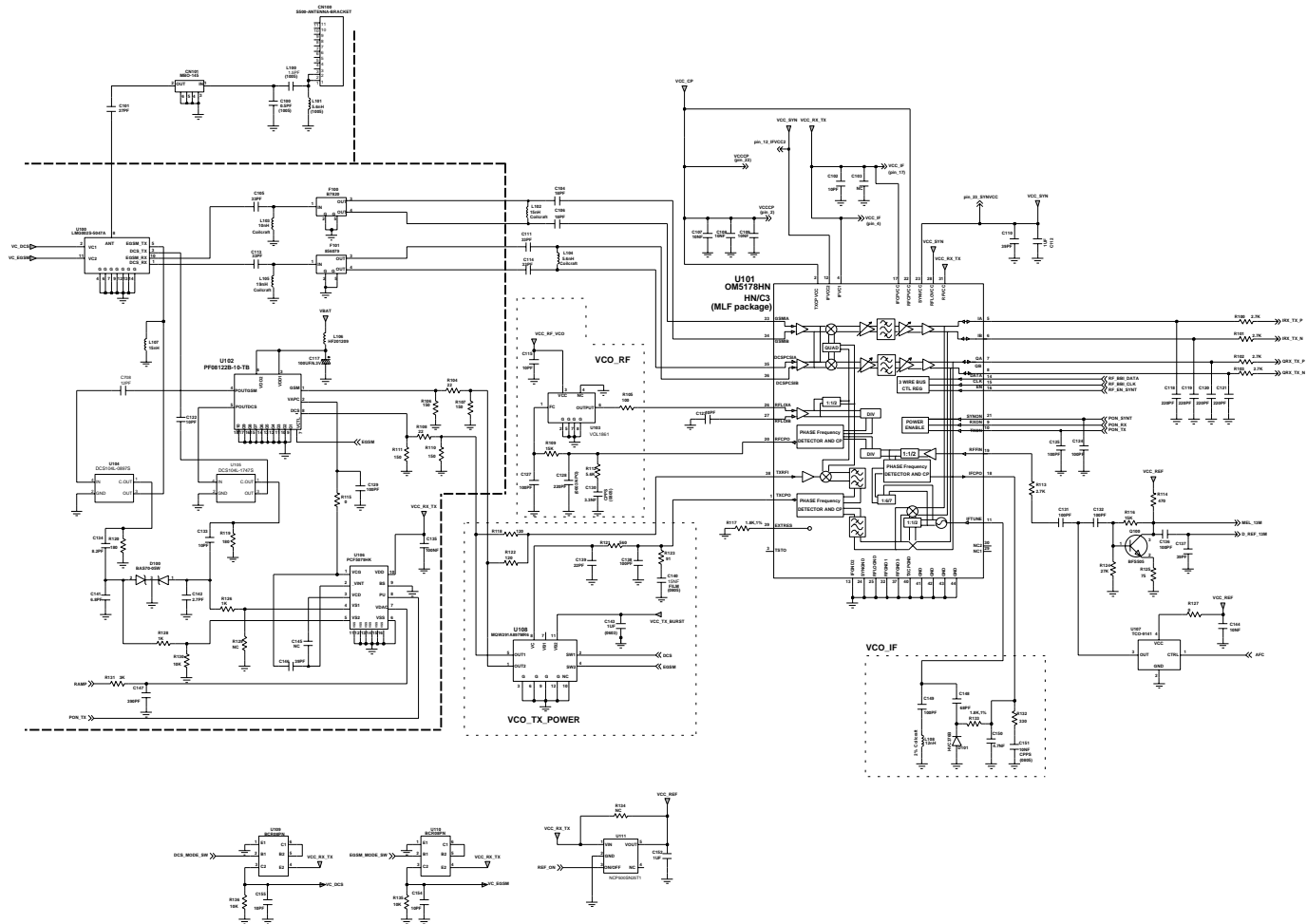
C619
R619
R609

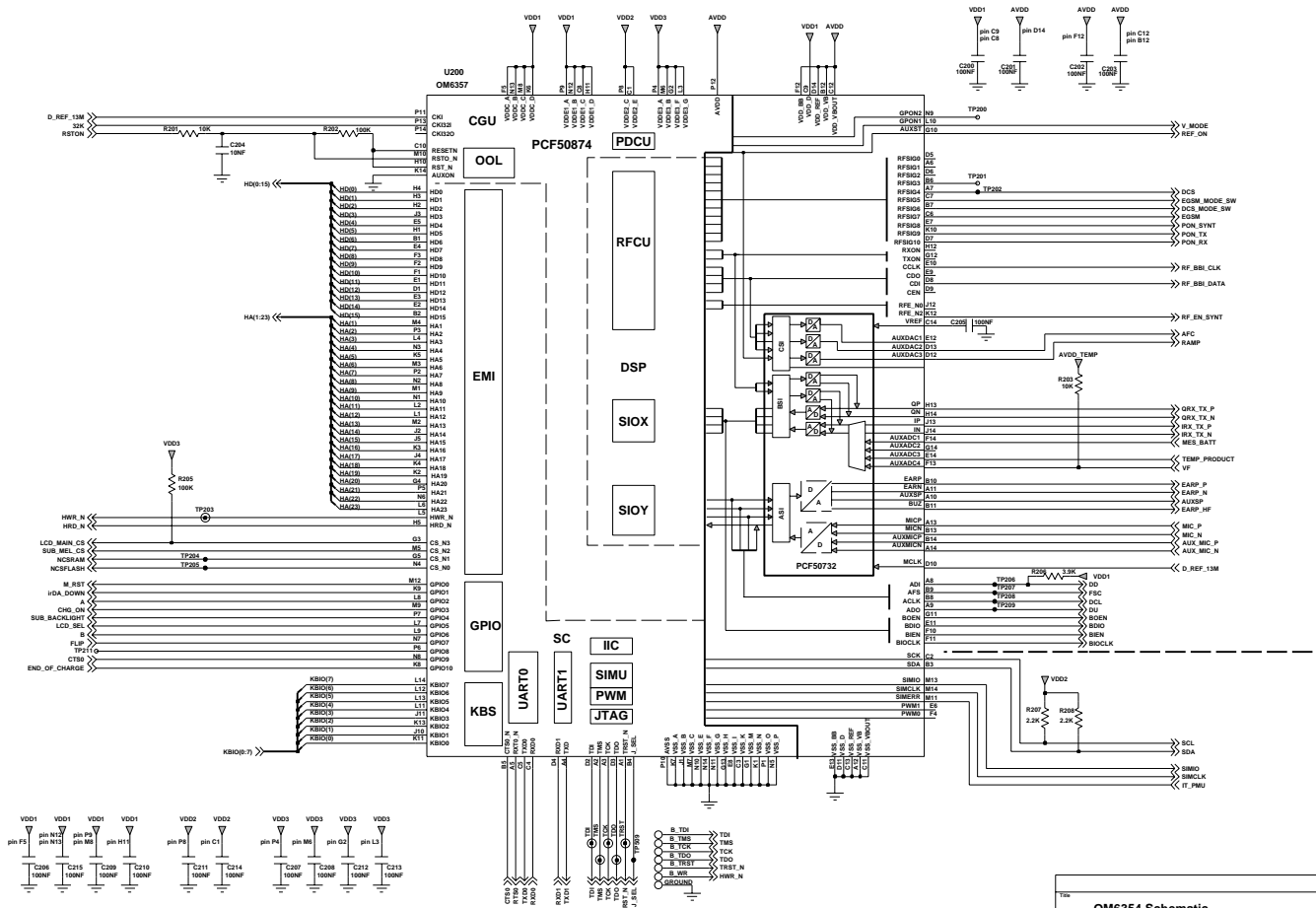
C503
C500
C611
V601
Y600
C610
C608
C606

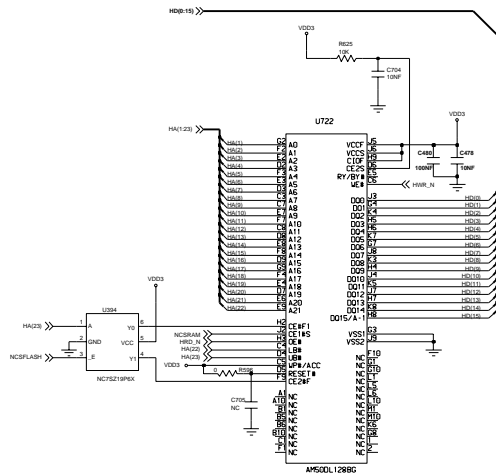
C620

C622
C623
C625
R510
R627
R622

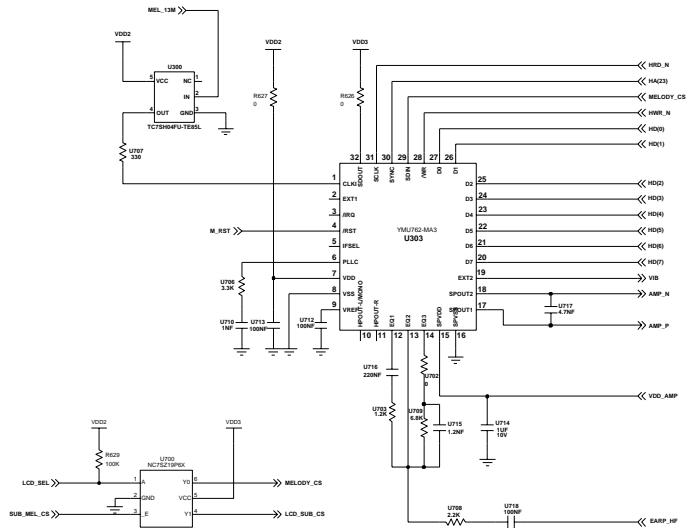
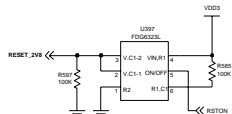






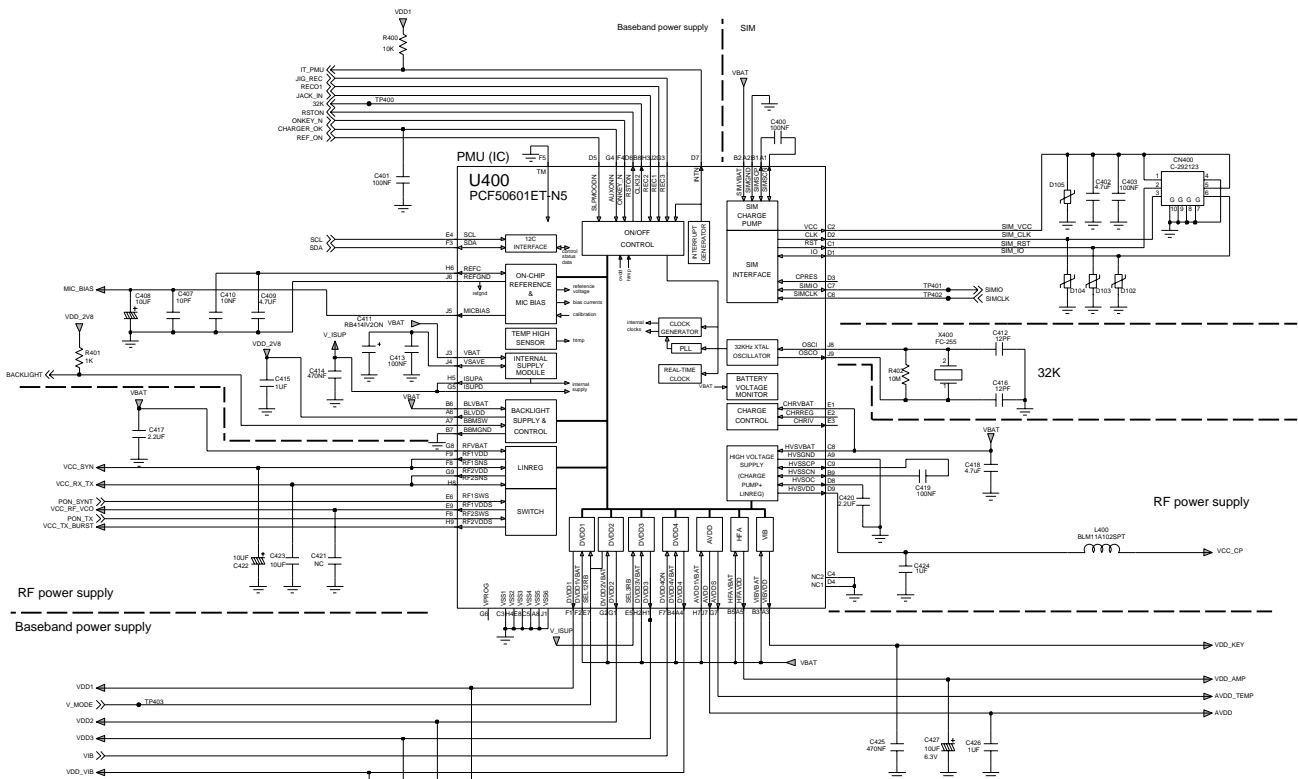


Memories



MELODY IC

	SUB_MEL_CS	LCD_SEL
MELODY_CS	0	0
LCD_SUB_CS	0	1



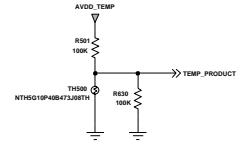
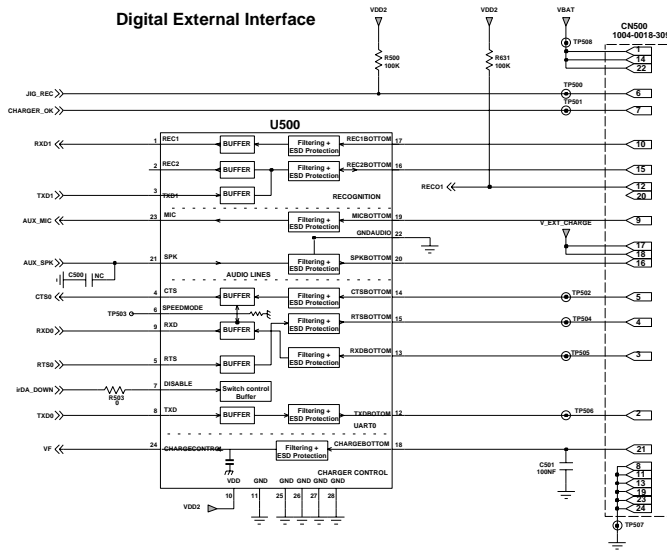
RF power supply

Baseband power supply

SIGNAL	TRF
MC_BIAS	2V7
V_ILP	2V7
BL_LC2_VDD	3V0
VCC_BN	2V7
VCC_RX_TX	2V7
VCC_RF_VDD	2V7
VCC_RX_BULK	2V7
VDD1	1V05
VDD2	1V05

SIGNAL	TRF
VDD3	1V05
VDD4	3V0
AVDD	2V0
AVDD_TEMP	2V0
HFVDD	3V0
VIBVDD	2V0
VCC_CP	4V
SIMVDD	3V

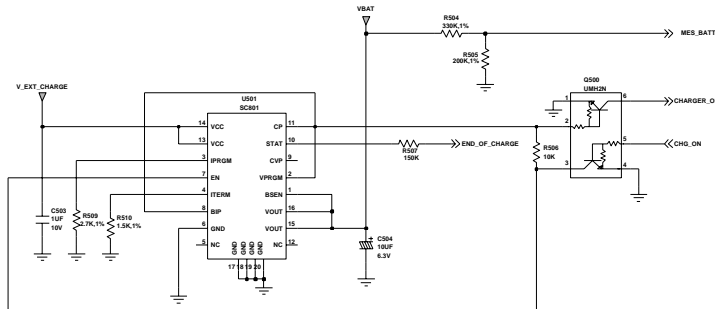
Digital External Interface

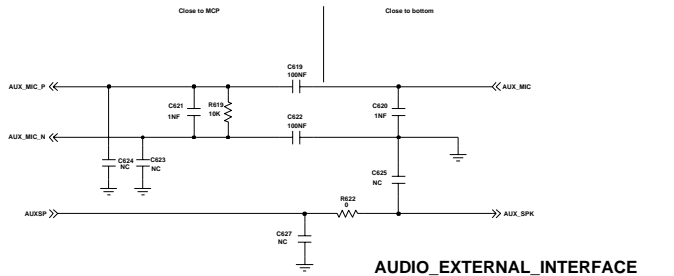
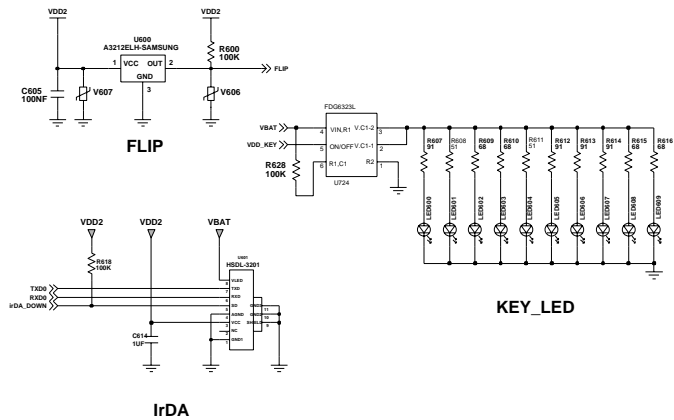
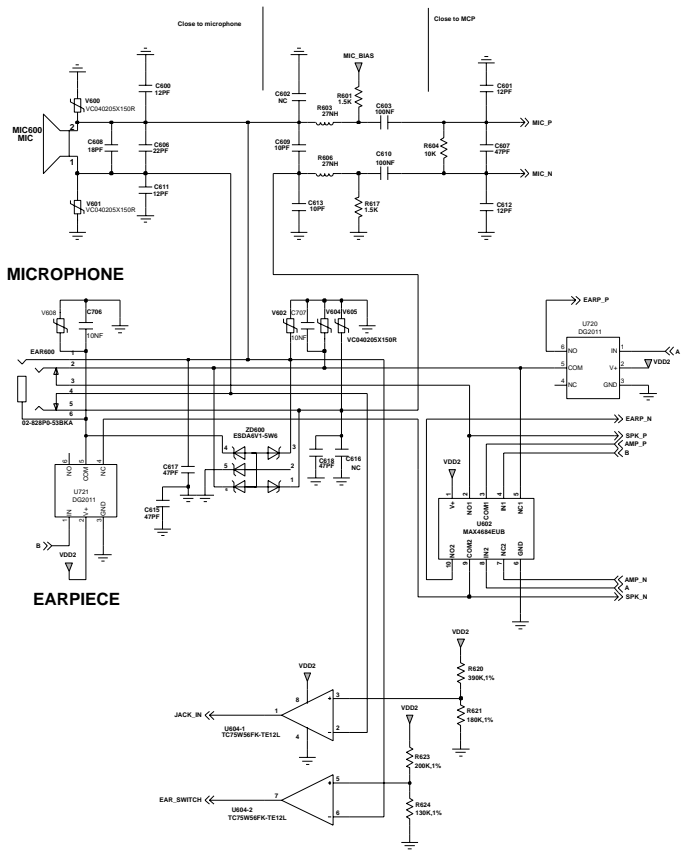


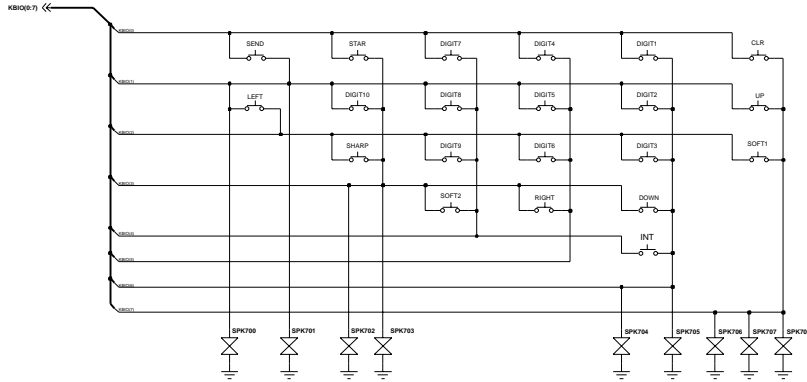
TERMISTER

PCB_HOLE

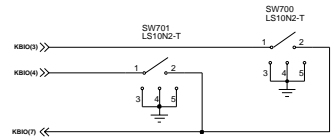
Charge of Battery







KEY_MAP



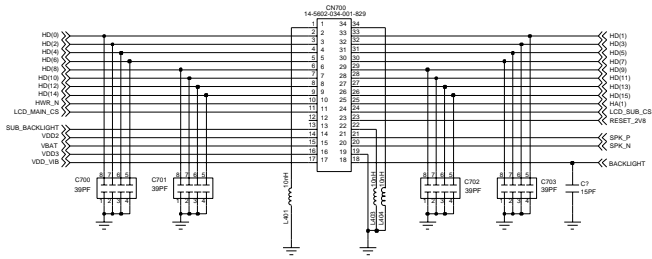
SIDE_KEY



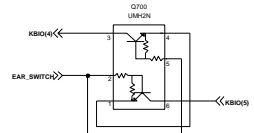
END_KEY



DOMESHEET GUIDE HOLE



LCD_CONNECTOR



EARPHONE_SWITCH